

FRIDGE + FREEZER
FRESH AND FROZEN FOOD AND BEVERAGE

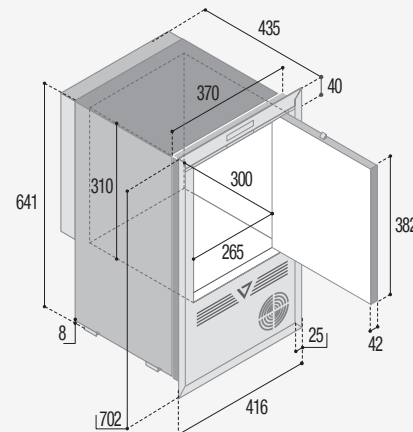
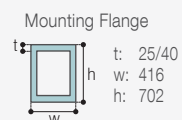


CFR OCX2 SERIES, WITH THE NEW STYLISH SQUARE EDGE DOOR DESIGN IN AISI 316 STAINLESS STEEL, IS ABLE TO SET ANY TEMPERATURE AT ANY TIME, STARTING IN FRIDGE MODE THEN SWITCHING TO FREEZER MODE OR VICE-VERSA.

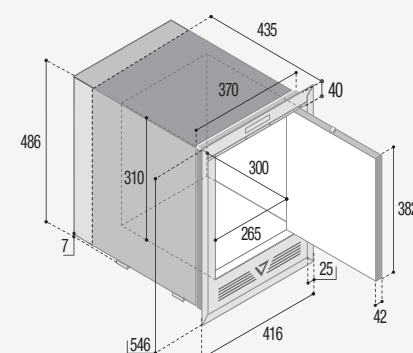
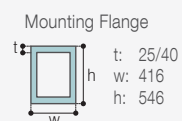


	CFR CL OCX2	CFR XR OCX2
TOTAL VOLUME	24 LT.	24 LT.
NET WEIGHT	24 KG.	15 KG.
POWER SUPPLY	12/24 Vdc - 100-240Vac 50/60HZ	
NOMINAL CONSUMPTION	60 W	60 W

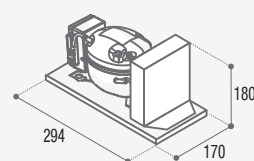
CFR CL OCX2



CFR XR OCX2



COOLING UNIT
(XR VERSION)



Made in Italy

9602-0083

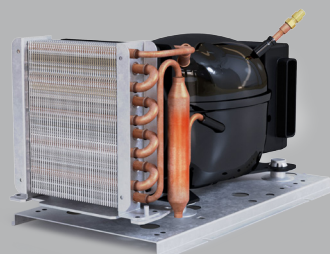


CFR OCX2
SERIES

YOU DECIDE.
ANY TEMPERATURE,
ANY TIME.



CFR XR OCR2
REMOTE COOLING UNIT



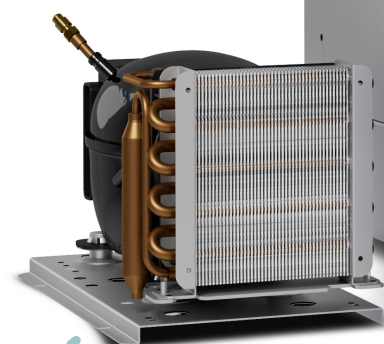
VITRIFRIGO S.r.l. Via Mazzini, 75 - Fraz. Montecchio - 61022 Vallefoglia (PU) - Italy
Tel. +39 0721 154.500 - www.vitrifrigo.com - info@vitrifrigo.com



CFR CL OCX2
BUILT-IN COOLING UNIT

CFR OCX2 SERIES

STAINLESS STEEL REFRIGERATORS AND FREEZERS WITH BUILT-IN OR REMOTE COOLING UNIT



REMOVABLE COOLING UNIT

UP TO 1,5 mt

Thanks to its remote cooling unit, CFR XR OCX2 is 30% smaller than CL version. In addition, the external cooling unit expands the installation possibilities in terms of functionality, efficiency and soundproofing.

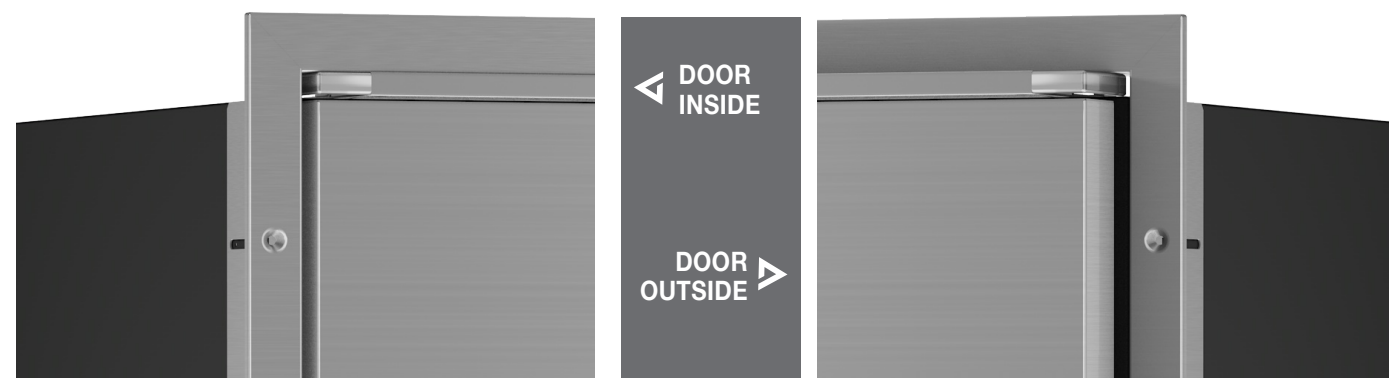
PRECISE TEMPERATURE CONTROL

DIGITAL LED THERMOSTAT

SWITCHES FROM FRIDGE TO FREEZER MODE, SETTING THE TEMPERATURE FROM +10°C UP TO -18°C

DOOR INSIDE + DOOR OUTSIDE

THE SINGLE SECTION, STAINLESS STEEL FITTING FRAME ALLOWS THE FRIDGE TO BE FIXED EITHER WITH THE DOOR FLUSH OR PROUD OF THE FURNITURE.



INTEGRATED VENT POSITION

FOR AIR CIRCULATION DURING PERIODS OF NON-USE

